







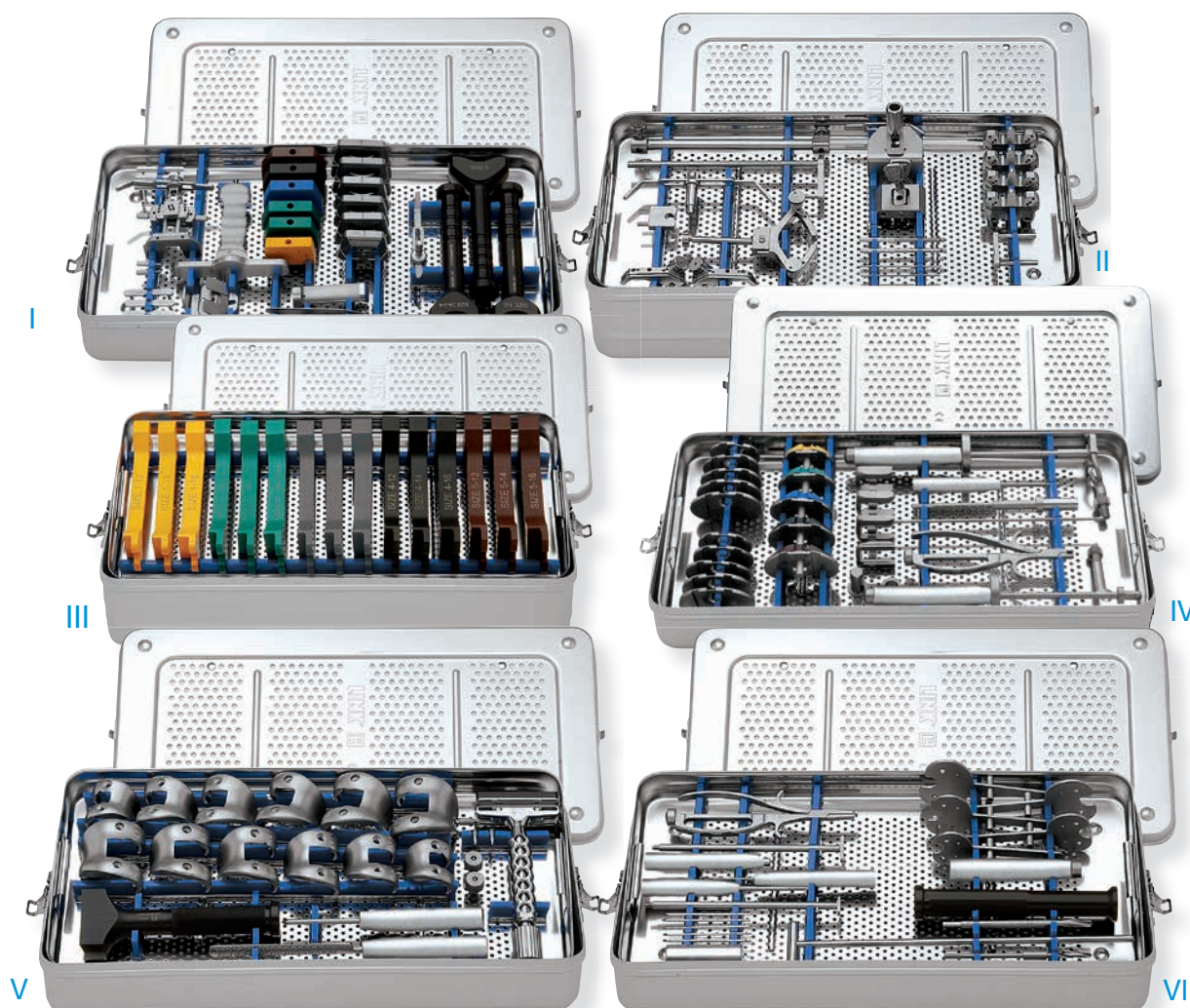
GEMINI SL Total Knee Replacement

MIT-K Instruments

CE0482

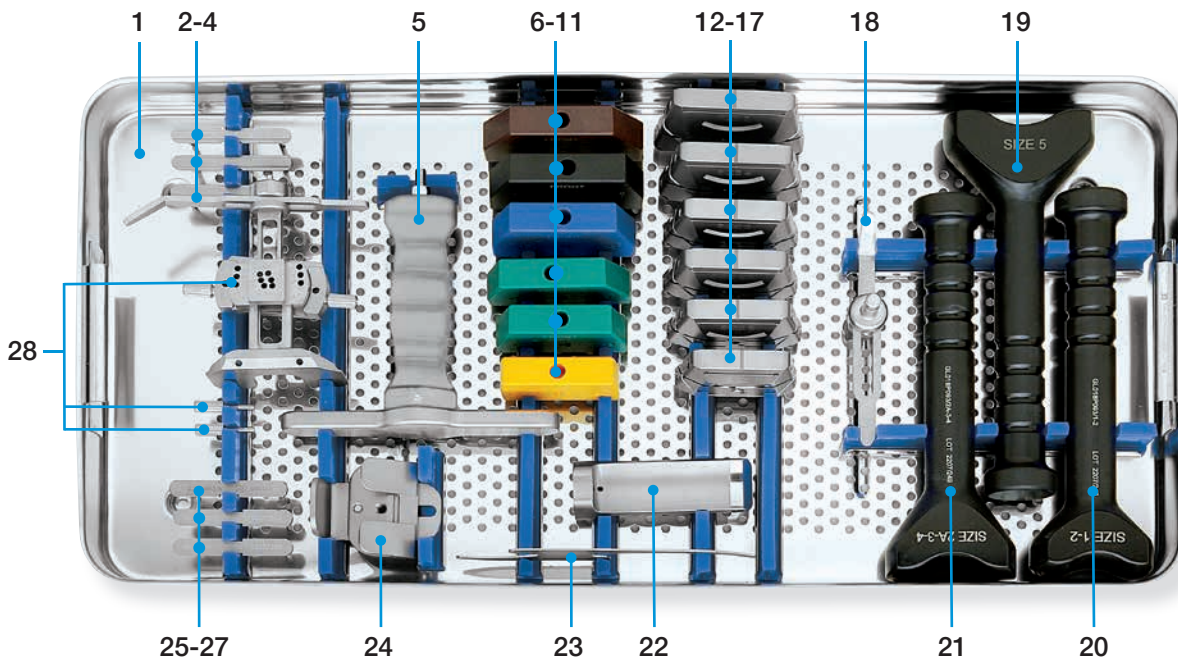
Explanation of Pictograms			
	Manufacturer		Article number
	Material (number)		Product meets the applicable requirements, which are regulated in the EU harmonization legislation for the affixing of the CE marking.

MIT-K Basic Instrument Set for GEMINI SL Total Knee Replacement



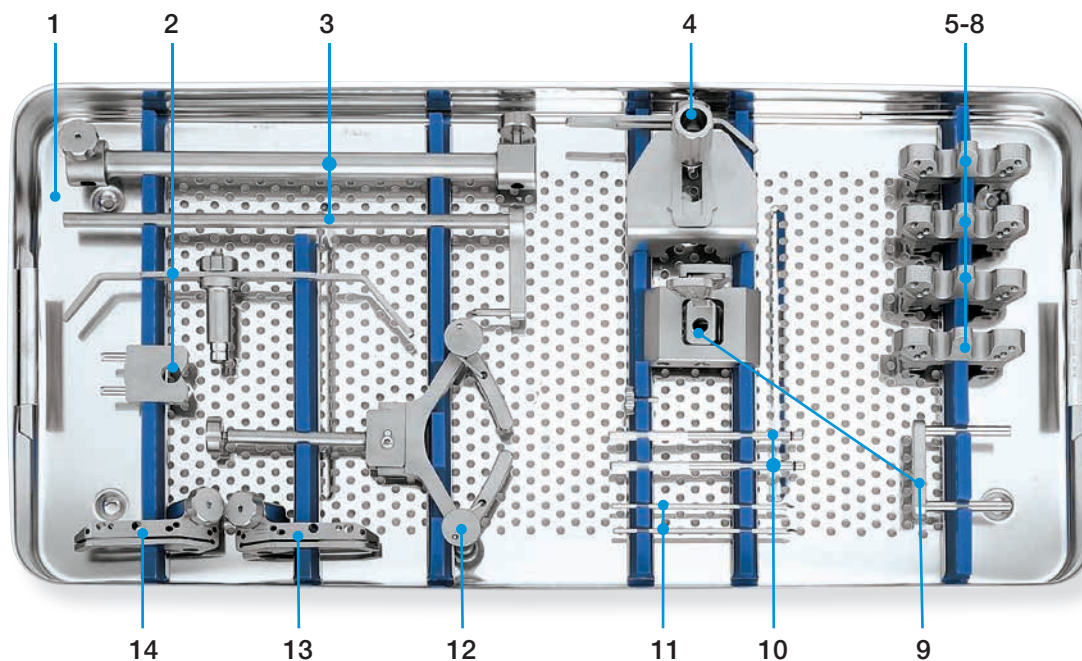
REF	MIT-K Basic Instrument Set
317-800/02	Complete Set in 4 standard containers N11 and 2 standard containers N21, instruments on 6 trays with product and storage racks.
05-2001/03	Standard Container N11 , empty, 575 x 275 x 100 mm
05-2002/03	Standard Container N21 , empty, 575 x 275 x 130 mm
	<u>Trays, empty, stainless steel:</u>
317-803/01	Tray I , 550 x 265 x 50 mm
317-803/02	Tray II , 550 x 265 x 50 mm
317-803/03	Tray III , 550 x 265 x 50 mm
317-602/14	Tray IV , 550 x 265 x 50 mm
317-803/05	Tray V , 550 x 265 x 50 mm
317-803/06	Tray VI , 550 x 265 x 50 mm
REF	optional
317-803/27	Tray VII for PS (Posterior Stabilized), 550 x 265 x 70 mm
317-803/08	Tray VIII (for Fixed Bearing), 550 x 265 x 50 mm
317-803/09	Tray IX (for intermediate sizes 1B/2B), 550 x 265 x 50 mm

MIT-K Tray I – Basic Instrument Set



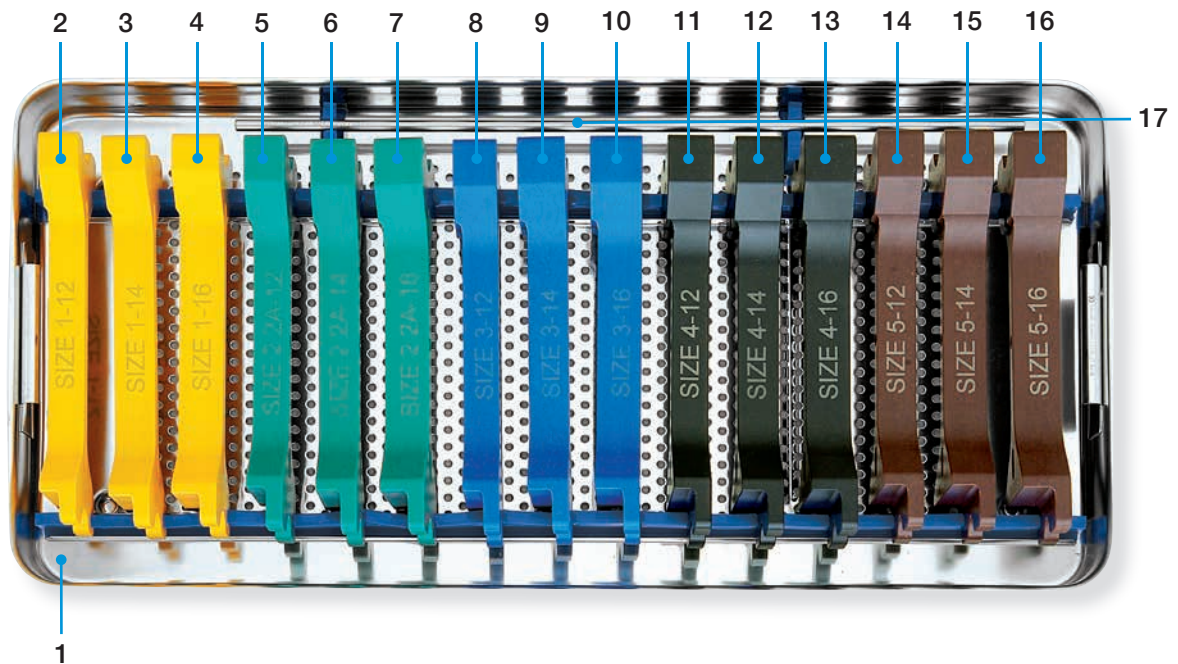
1	317-803/01	Tray I , empty, 550 x 265 x 50 mm	
Dove Tail Adapter for femoral cutting blocks			
2	317-802/33	for size 1	neutral
3	317-802/34	for size 1	+ 1 mm
4	317-802/35	for size 1	+ 2 mm
25	317-802/36	for sizes 2-5	neutral
26	317-802/37	for sizes 2-5	+ 1 mm
27	317-802/38	for sizes 2-5	+ 2 mm
5	317-802/57	Handle , 150 mm	
Femoral Control Blocks			
6	317-802/61	for femoral components size 1,	yellow
7	317-802/62	for femoral components size 2,	green
8	317-802/63	for femoral components size 2A,	green
9	317-802/64	for femoral components size 3,	blue
10	317-802/65	for femoral components size 4,	black
11	317-802/66	for femoral components size 5,	brown
Femoral Cutting Blocks			
12	317-802/20	size 1	
13	317-802/21	size 2	
14	317-802/22	size 2A	
15	317-802/23	size 3	
16	317-802/24	size 4	
17	317-802/26	size 5	
18	317-802/48	Stylus for control block femur	
Impactor for tibial components, incl. PE plateau, rotational version			
20	317-802/10	for size 1-2	
21	317-802/11	for sizes 2A, 3, 4	
19	317-802/12	for size 5	
22	317-802/32	Chisel for Patella Glide , 80 mm	
23	317-802/53	Cutting Template	
24	317-802/56	Femoral Cutting Block Inserter	
28	317-802/84	Alignment Instrument for external rotation, complete (3 parts)	

MIT-K Tray II – Basic Instrument Set



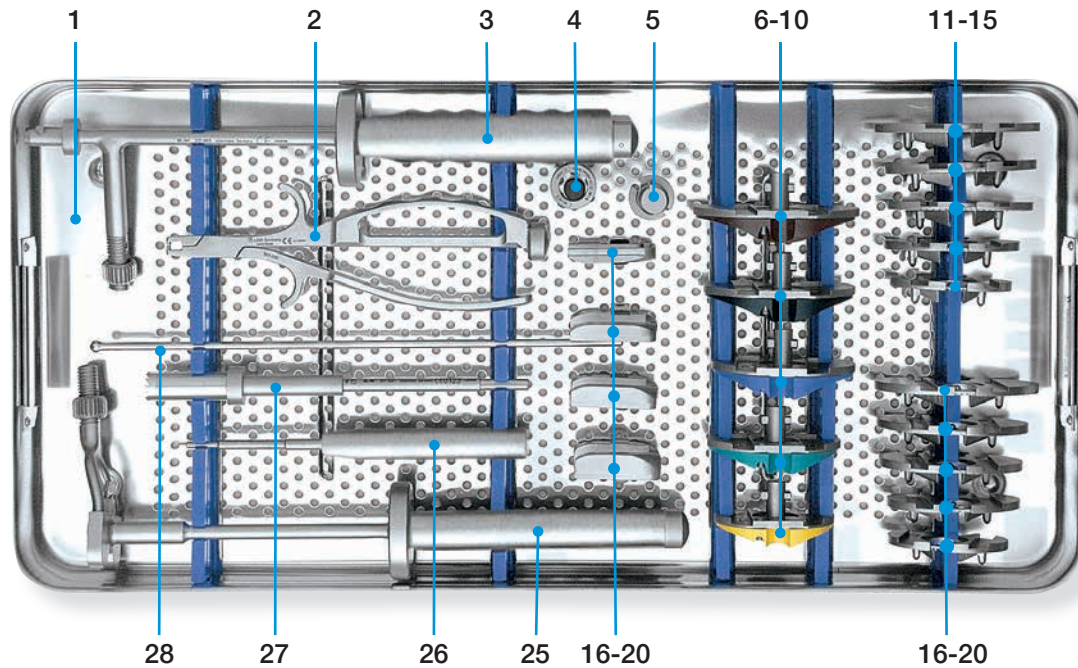
1	317-803/02	Tray II, empty, 550 x 265 x 50 mm
2	317-802/52	Stylus for tibial saw guide, adjustable
3	317-802/47	Orientation Rod Tibia, complete
4	317-802/83	Femoral Sizer
		Distal Cutting Blocks
5	317-802/82	for size 1 + 1B
6	317-802/87	for sizes 2 + 2A + 2B
7	317-802/42	for size 3
8	317-802/43	for sizes 4 + 5
9	317-802/39	Alignment Instrument for valgus angulation, complete (2 parts)
10	317-802/58	Alignment Rods for epicondyles, 100 mm (2 ea. included in container)
11	317-585/95	Fixation Pins, Ø 3 mm, 95 mm (2 ea. included in container)
12	317-802/46	Foot Clam, adjustable
13	317-802/51	Tibial Saw Guide, right
14	317-802/50	Tibial Saw Guide, left

MIT-K Tray III – Basic Instrument Set



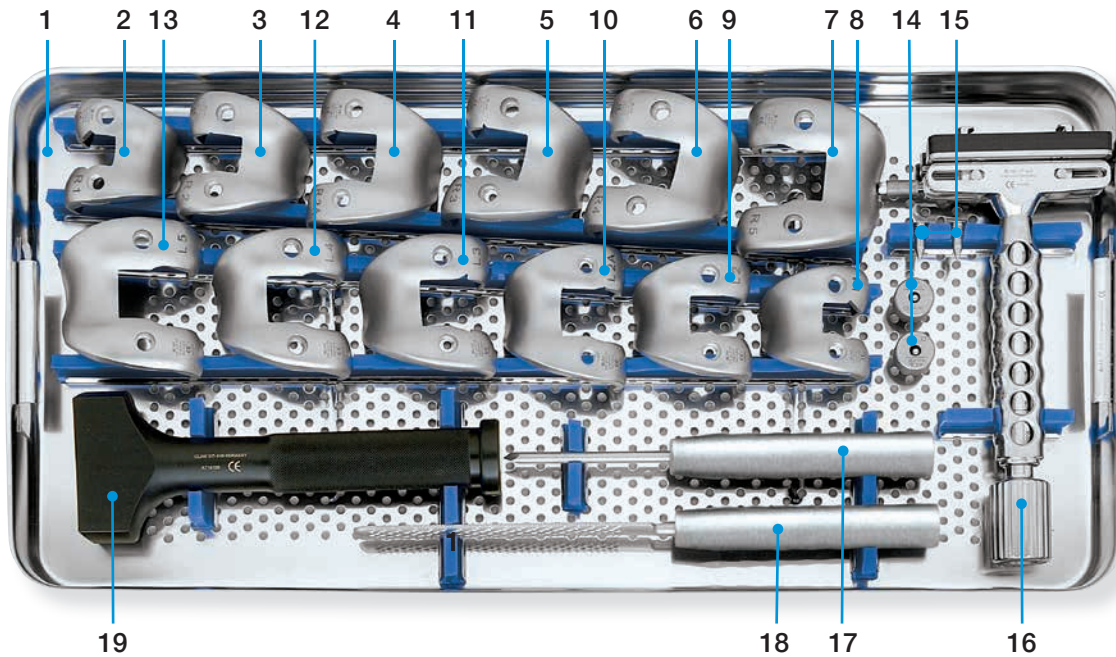
1	317-803/03	Tray III, empty, 550 x 265 x 50 mm		
		Spacers for flexion-extension gap		
		for femoral components:	colour:	height:
2	317-809/12	size 1 + 1B	yellow/grey	12 mm
3	317-809/14	size 1 + 1B	yellow/grey	14 mm
4	317-809/16	size 1 + 1B	yellow/grey	16 mm
5	317-810/12	sizes 2 + 2A + 2B	green/red	12 mm
6	317-810/14	sizes 2 + 2A + 2B	green/red	14 mm
7	317-810/16	sizes 2 + 2A + 2B	green/red	16 mm
8	317-806/12	size 3	blue	12 mm
9	317-806/14	size 3	blue	14 mm
10	317-806/16	size 3	blue	16 mm
11	317-807/12	size 4	black	12 mm
12	317-807/14	size 4	black	14 mm
13	317-807/16	size 4	black	16 mm
14	317-808/12	size 5	brown	12 mm
15	317-808/14	size 5	brown	14 mm
16	317-808/16	size 5	brown	16 mm
17	317-802/30	Alignment Rod , Ø 6 mm, 400 mm		

MIT-K Tray IV – Basic Instrument Set



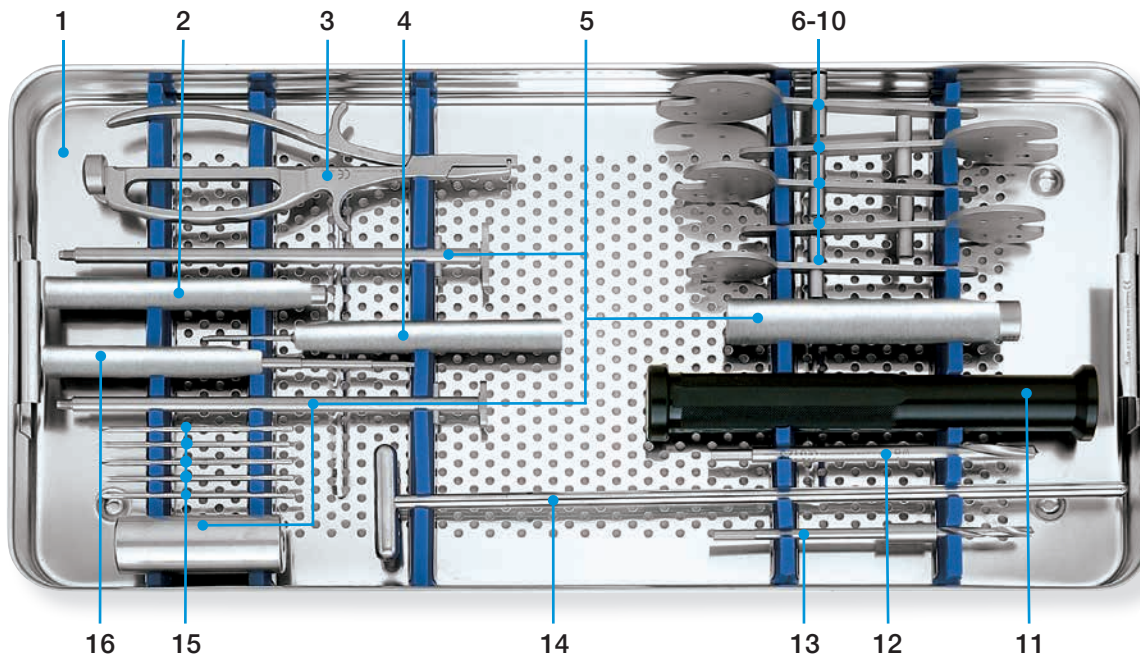
1	317-602/14	Tray IV, empty, 550 x 265 x 50 mm
2	317-722	Insertion Forceps for trial plateaus and shims, 200 mm
3	317-663	Cancellous Bone Compressor, 320 mm
4	317-734	Drill Guide for trephine
5	317-664	Sleeve for cancellous bone compressor and tibial base trials, 200 mm
Trial Plateaus		
for femoral components:		
6	317-730/01	size 1 Colour: yellow
7	317-730/02	sizes 2+2A green
8	317-730/03	size 3 blue
9	317-730/04	size 4 black
10	317-730/05	size 5 brown
Tibial Base Trials		
for tibial metal casings:		
11	317-732/01	size 1 right
12	317-732/02	size 2 right
13	317-732/03	size 3 right
14	317-732/04	size 4 right
15	317-732/05	size 5 right
16	317-733/01	size 1 left
17	317-733/02	size 2 left
18	317-733/03	size 3 left
19	317-733/04	size 4 left
20	317-733/05	size 5 left
Shims		
21	317-736/12	for height 12 mm
22	317-736/14	for height 14 mm
23	317-736/16	for height 16 mm
24	317-736/18	for height 18 mm
25	317-629	Attachable Handle and Impactor for tibial baseplate trials, 310 mm
26	10-5373	Hex Screwdriver for trial plateaus, SW 2.5 mm, 180 mm
27	317-637E*	Trephine, with fitting Jacobs Chuck E*, 200 mm (*additional fittings on page 07)
28	317-627	Alignment Rod (extramedullary), 275 mm

MIT-K **Tray V** – Basic Instrument Set



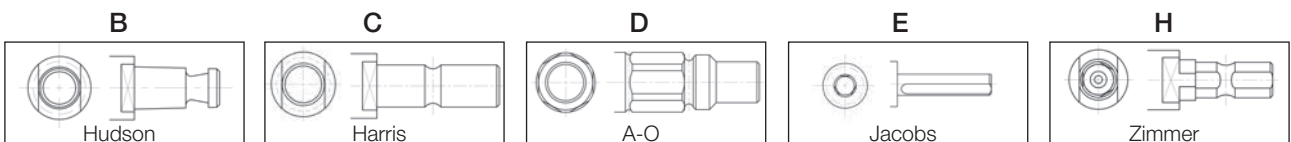
1	317-803/05	Tray V , empty, 550 x 265 x 50 mm	
Femoral Trials			
2	317-667/01	size 1	right
3	317-667/02	size 2	right
4	317-667/25	size 2A	right
5	317-667/03	size 3	right
6	317-667/04	size 4	right
7	317-667/05	size 5	right
8	317-668/01	size 1	left
9	317-668/02	size 2	left
10	317-668/25	size 2A	left
11	317-668/03	size 3	left
12	317-668/04	size 4	left
13	317-668/05	size 5	left
14	317-666	Drill Guide for femoral trials (2 ea. included in container)	
15	317-665	Threaded Pins for femoral trials (2 ea. included in container)	
16	317-642/01	Attachable Handle and Impactor for femoral components, 220 mm	
17	317-658	Bone Awl with trocar point, 202 mm	
18	317-643	Rasp for patella glide, 273 mm	
19	317-646	Driver for femoral components, 210 mm	

MIT-K Tray VI – Basic Instrument Set



1	317-803/06	Tray VI, empty, 550 x 265 x 50 mm
2	317-648	Universal Wrench, hex 6 mm, for guide nuts, 114 mm
3	317-586	Driver and Extraction Forceps for fixation pins, 210 mm
4	130-855	Hex Screwdriver, hex 3 mm, 140 mm
5	317-738	Extraction Instrument (4 parts) for femoral trials
		Tibial Sizers
6	317-729/11	size 1
7	317-729/12	size 2
8	317-729/13	size 3
9	317-729/14	size 4
10	317-729/15	size 5
11	317-647	Tibial Impactor for tibial components, 215 mm
12	317-641/08E*	Twist Drill to open femoral and tibial cavity, Ø 8 mm, 160 mm, with fitting: Jacobs Chuck E*
13	317-649/08E*	Twist Drill for pilot holes of femoral trials, Ø 5.5 mm, 160 mm, with fitting: Jacobs Chuck E*
14	317-623	Guide Rod (intramedullary), Ø 8 mm, 365 mm
15	317-585/95	Fixation Pins, Ø 3 mm, 95 mm (5 ea. included in container)
16	64-1181/06	Hex Screwdriver, hex 2 mm, 158.5 mm

* Fittings optional:



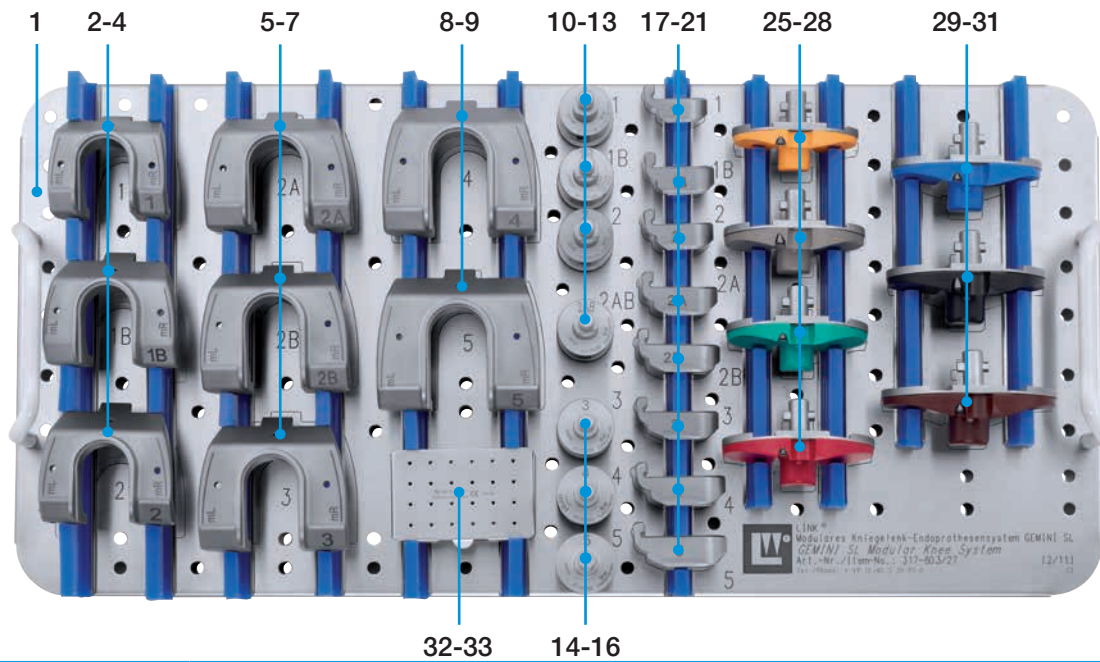
How to order: 317-641/08B = with Hudson fitting

MIT-K Instrument Set for PS (Posterior Stabilized)



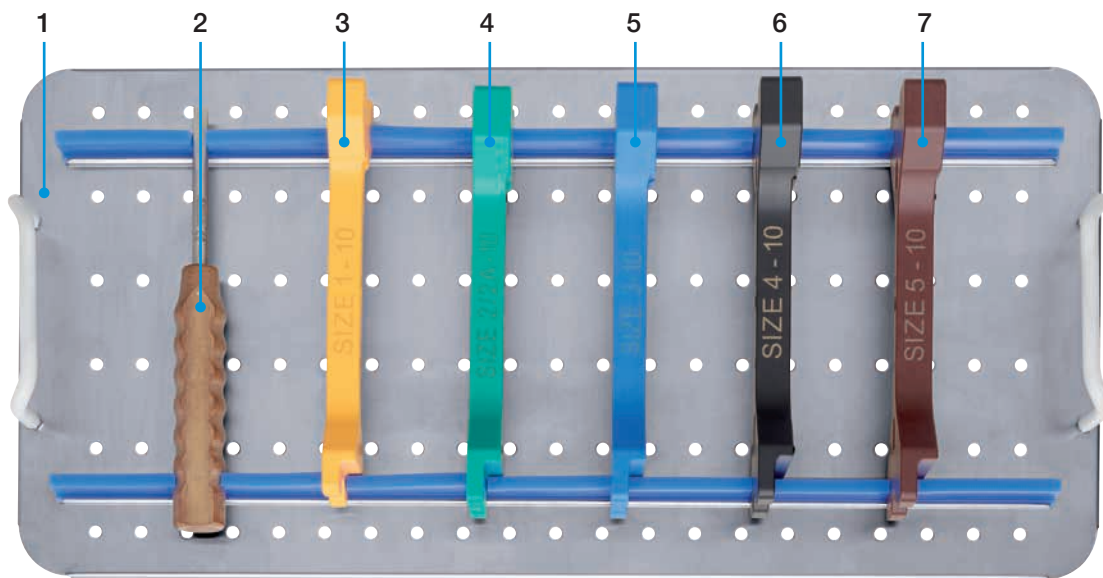
REF	MIT-K Instrument Set for PS (Posterior Stabilized)
317-827	Complete Set in 1 standard container N21, Instruments on 1 tray with products and storage trays.
05-2002/03	Standard Container N21 , empty, stainless steel, 575 x 275 x 130 mm
317-803/27	<u>Tray, empty, stainless steel:</u> Tray VII , 550 x 265 x 70 mm

MIT-K Instrument Set Tray VII – for PS (Posterior Stabilized)



1	317-803/27	Tray, empty, 550 x 265 x 70 mm
Box Guide PS		
2	317-618/01	size 1
3	317-618/16	size 1B
4	317-618/02	size 2
5	317-618/25	size 2A
6	317-618/26	size 2B
7	317-618/03	size 3
8	317-618/04	size 4
9	317-618/05	size 5
Notch Reamer PS		
10	317-717/01B	size 1
11	317-717/16B	size 1B
12	317-717/02B	size 2
13	317-717/25B	sizes 2A + 2B
14	317-717/03B	size 3
15	317-717/04B	size 4
16	317-717/05B	size 5
Femoral Trial Box PS		
17	317-669/01	size 1
18	317-669/16	size 1B
19	317-669/02	size 2
20	317-669/25	size 2A
21	317-669/26	size 2B
22	317-669/03	size 3
23	317-669/04	size 4
24	317-669/05	size 5
Trial Plateaus PS		
25	317-731/01	size 1 yellow
26	317-731/16	size 1B grey
27	317-731/02	size 2 green
28	317-731/25	sizes 2A + 2B red
29	317-731/03	size 3 blue
31	317-731/04	size 4 black
31	317-731/05	size 5 brown
32	10-5407	Sterilizing Box
33	317-668	Fixation Screws

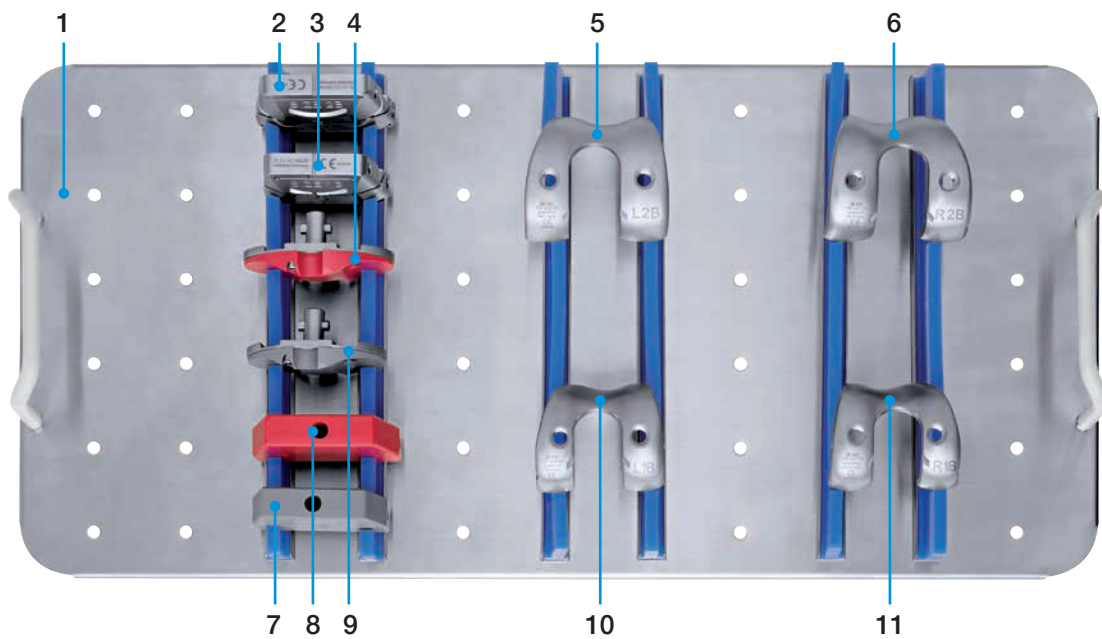
MIT-K Instrument Set – for Fixed Bearing



REF	MIT-K Instrument Set for Fixed Bearing
317-818	Complete Set in 1 standard container N11, Instruments on 1 tray with products and storage trays.
05-2001/03	Standard Container N11 , empty, stainless steel, 575 x 275 x 100 mm
317-803/08	<u>Tray, empty, stainless steel:</u>
317-803/08	Tray VIII , 550 x 265 x 50 mm

1	317-803/08	Tray VIII , empty, 550 x 265 x 50 mm
2	322-145	Screwdriver
3	317-809/10	Spacer for flexion-/extension gap, size 1 + 1B, height 10 mm
4	317-810/10	Spacer for flexion-/extension gap, size 2 + 2A + 2B, height 10 mm
5	317-806/10	Spacer for flexion-/extension gap, size 3, height 10 mm
6	317-807/10	Spacer for flexion-/extension gap, size 4, height 10 mm
7	317-808/10	Spacer for flexion-/extension gap, size 5, height 10 mm

MIT-K Additional Instrument Set – for intermediate sizes 1B/2B



REF	MIT-K Additional Instrument Set for intermediated sizes 1B/2B
317-819	Complete Set in 1 standard container N11, Instruments on 1 tray with products and storage trays.
05-2001/03	Standard Container N11 , empty, stainless steel, 575 x 275 x 100 mm
317-803/09	<u>Tray, empty, stainless steel:</u> Tray IX , 550 x 265 x 50 mm

1	317-803/09	Tray IX , empty, 550 x 265 x 50 mm
2	317-802/86	Femoral Cutting Block , size 2B
3	317-802/81	Femoral Cutting Block , size 1B
4	317-730/25	Trial Plateau , sizes 2A/2B
5	317-668/26	Femoral Trial , size 2B, left
6	317-667/26	Femoral Trial , size 2B, right
7	317-802/80	Femoral Control Block , size 1B
8	317-802/85	Femoral Control Block , size 2B
9	317-730/16	Trial Plateau , size 1B
10	317-668/16	Femoral Trial , size 1B, left
11	317-667/16	Femoral Trial , size 1B, right

MIT-K Additional Instruments (not included in MIT-K Basic Instrument Set)

317-588/01

Gauge for ligament tension



Saw Blade,
without offset teeth, 1.24 mm thick

REF wide	REF small	Fitting
317-654/10	317-656/10	Synthes
317-654/11	317-656/11	Aesculap combi
317-654/12	317-656/12	3M
317-654/13	317-656/13	Zimmer/Hall combi
317-654/14	317-656/14	Stryker system 4

MIT-K Further Informationen



GEMINI SL
Total Knee Replacement
MIT-K – Minimally Invasive
Technique-Knee



LINK PorEx Technology
(TiNbN = Titan-Niobium-Nitrid)
Surface Modification
for metal sensitive patients



Patella Components
for LINK Knee Prosthesis System



For more information please register at mediathek.orthopaedics.com for our media library.

Please note the following regarding the use of our implants:

1. Choosing the right implant is very important.

The size and shape of the human bone determines the size and shape of the implant and also limits the load capacity. Implants are not designed to withstand unlimited physical stress. Demands should not exceed normal functional loads.

2. Correct handling of the implant is very important.

Under no circumstances should the shape of a finished implant be altered, as this shortens its life span. Our implants must not be combined with implants from other manufacturers. The instruments indicated in the Surgical Technique must be used to ensure safe implantation of the components.

3. Implants must not be reused.

Implants are supplied sterile and are intended for single use only. Used implants must not be used again.

4. After-treatment is also very important.

The patient must be informed of the limitations of the implant. The load capacity of an implant cannot compare with that of healthy bone!

5. Unless otherwise indicated, implants are supplied in sterile packaging.

Note the following conditions for storage of packaged implants:

- Avoid extreme or sudden changes in temperature.
- Sterile implants in their original, intact protective packaging may be stored in permanent buildings up until the "Use by" date indicated on the packaging.
- They must not be exposed to frost, dampness or direct sunlight, or mechanical damage.
- Implants may be stored in their original packaging for up to 5 years after the date of manufacture. The "Use by" date is indicated on the product label.
- Do not use an implant if the packaging is damaged.

6. Traceability is important.

Please use the documentation stickers provided to ensure traceability.

7. Further information on the material composition is available on request from the manufacturer.

Follow the instructions for use!

Waldemar Link GmbH & Co. KG, Hamburg

All content in this catalog, including text, pictures and data, is protected by law. Every instance of use, whether in part or in whole and which is not permitted by law, is subject to our prior consent. In particular, this applies to the reproduction, editing, translation, publishing, saving, processing, or passing on of content stored in databases or other electronic media and systems, in any manner or form. The information in the catalogs is solely intended to describe the products and does not constitute a guarantee.

The Surgical Technique described has been written to the best of our knowledge and belief, but it does not relieve the surgeon of his/her responsibility to duly consider the particularities of each individual case.

Products shown in this document may not be available in your country. The product availability is subject to the approval and/or registration regulations of the respective country. Please contact Waldemar Link GmbH & Co. KG if you have questions about the availability of LINK products in your country.

Waldemar Link GmbH & Co. KG and/or other corporate affiliated entities own, use or have applied for the following trademarks in many jurisdictions: LINK, BiMobile, SP II, Modell Lubinus, E-Dur, EndoDur, T.O.P. II, BetaCup, CombiCup PF, CombiCup SC, CombiCup R, MobileLink, C.F.P., LCU, SP-CL, LCP, MIT-H, Endo-Model, Endo-Model SL, MP, MEGASYSTEM-C, GEMINI SL, SPAR-K, LCK, Link OptiStem, HX, TiCaP, X-LINKed, PorAg, LINK PorEx, BiPorEx, PorEx-Z, TrabecuLink, Tilastan, customLINK, RescueSleeve, Stactip, VACUCAST.

Other trademarks and trade names may be used in this document to refer to either the entities claiming the marks and/or names or their products and are the property of their respective owners.

